

Coyote Mini

COY-M-KKG-3X2-C

COY-M-KKG-2X2-C

The Coyote popup display system combines strength, reliability, and style in a lightweight and easy to use system. It is fully magnetic, making it simple to assemble and disassemble, and is available in two sizes.



features and benefits:

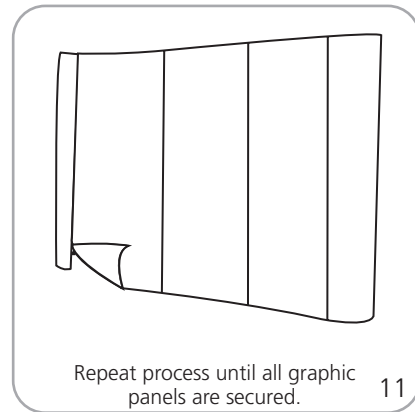
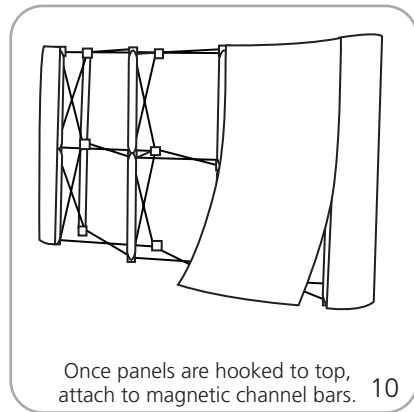
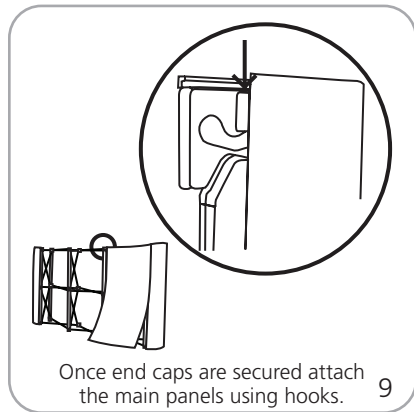
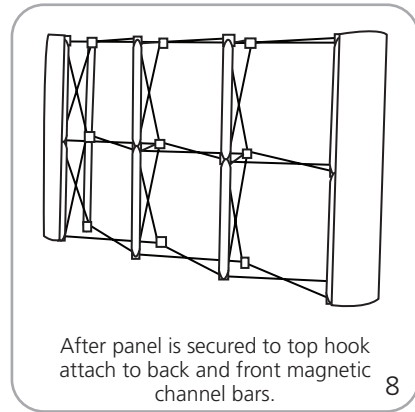
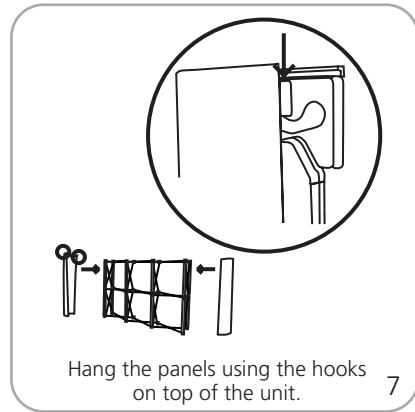
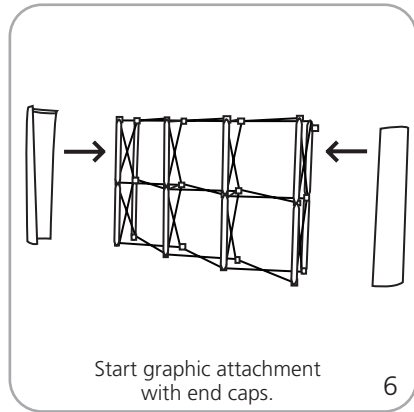
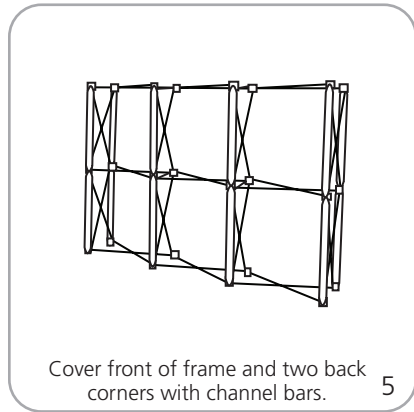
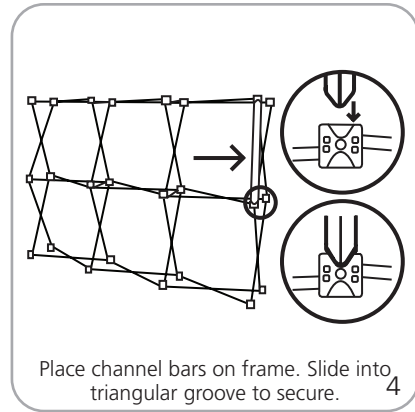
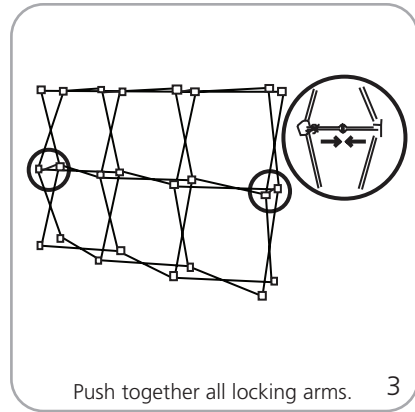
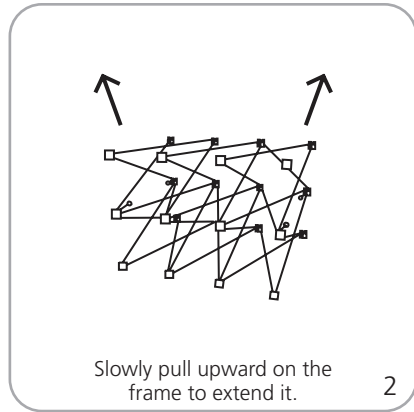
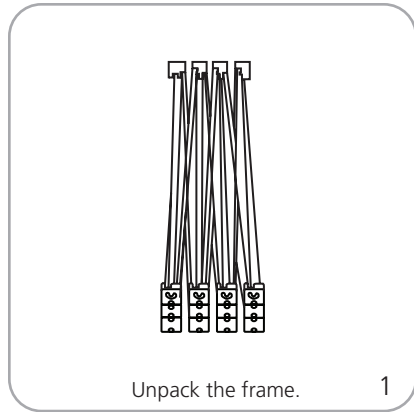
- Quick to set up
- Easy to store and ship
- Single or double sided
- LED lighting available
- Approx. 20% smaller than standard Coyote tabletops
- Collapses to a fraction of its size
- Entire display rolls up into a special storage sleeve which slides into a padded carry case
- Add an optional OCS hard case for shipping or extra secure storage
- Lifetime hardware warranty against manufacturer defects

dimensions:

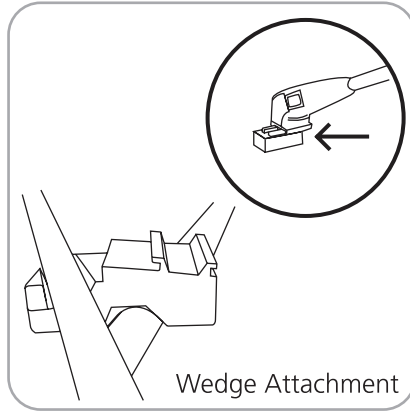
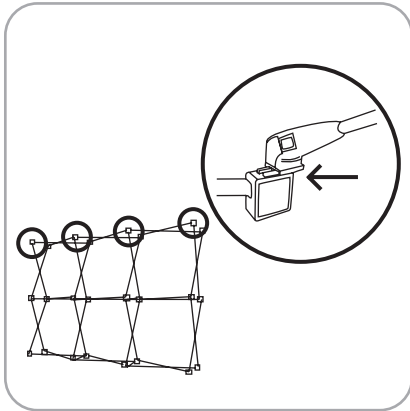
Hardware	Graphic
<p>Assembled unit:</p> <p>2x2: 57.75" w x 48.25" h x 11.75" d</p> <p>3x2: 77.5" w x 48.25" h x 16.25" d</p> <p>Weight:</p> <p>2x2: 14 lbs / 6.35 kg</p> <p>3x2: 17 lbs / 7.71 kg</p>	<p>Front visual area:</p> <p>2x2: 44.125" w x 47.75" h</p> <p>3x2: 66.1875" w x 47.75" h</p> <p>Please be sure to add 1/2" bleed around the perimeter.</p>
<p>Shipping</p> <p>Shipping dimensions:</p> <p>33" l x 15" w x 15" h</p> <p>838mm(l) x 381mm(w) x 381mm(h)</p> <p>Shipping weight:</p> <p>2x2: 31 lbs / 14.06 kg</p> <p>3x2: 28 lbs / 12.7 kg</p> <p>Shipping weight – Optional OCS Case:</p> <p>2x2: 40 lbs / 18.14 kg</p> <p>3x2: 43 lbs / 19.5 kg</p>	<p>Refer to related graphic template for more information.</p> <p>Visit: www.exhibitors-handbook.com/graphic-templates</p>
	<p>additional information:</p> <p>Recommended material: 22mil Opaque PVC</p> <p>End panel substrate is to be 10 mils or less</p> <p>If printing own graphics, magnet must go directly to edge of panel</p>

We are continually improving and modifying our product range and reserve the right to vary the specifications without prior notice. All dimensions and weights quoted are approximate and we accept no responsibility for variance. E&OE. See Graphic Templates for graphic bleed specifications.

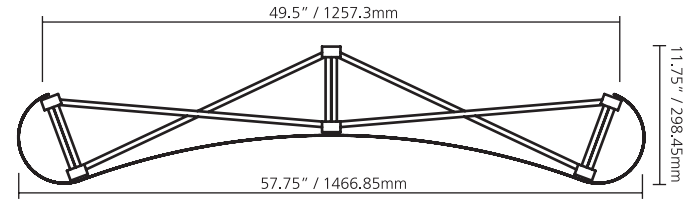
Frame Set-up



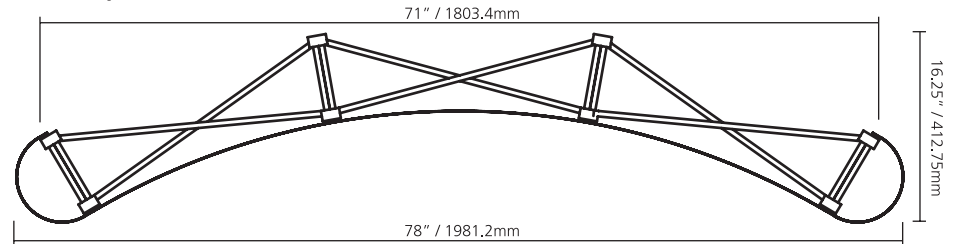
LIGHTS



2x2 Coyote Mini

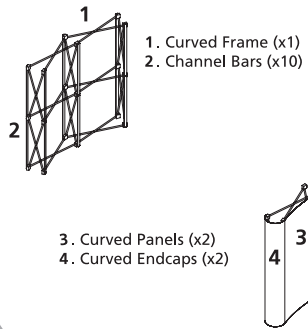


3x2 Coyote Mini

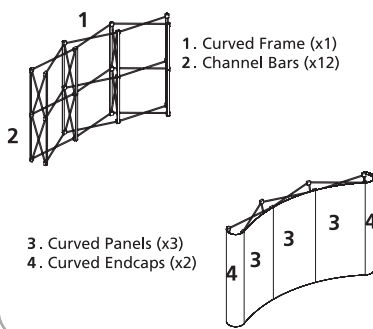


PANEL PLACEMENT

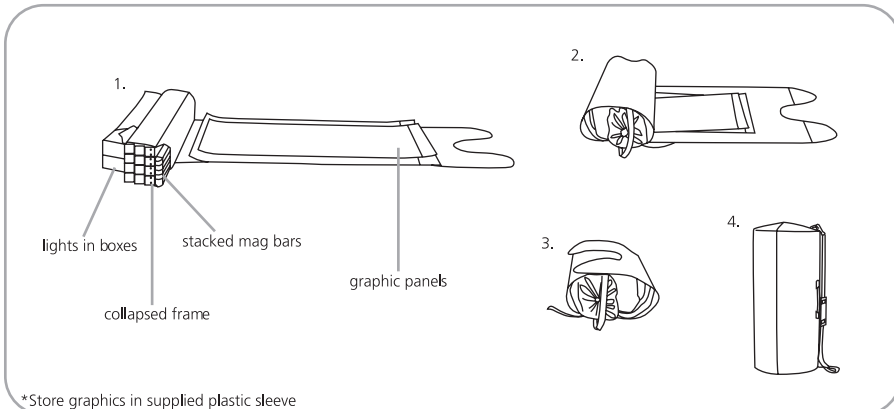
2x2 Mini



2x3 Mini



REPACKING



*Store graphics in supplied plastic sleeve

2x2 Coyote Mini Kit Includes:

- (x1) 2x2 Frame
- (x10) Channel Bars
- (x2) Endcap Panels
- (x2) Front Curved Panels
- (x2) Lumina 1 Black Spotlights (unless another light specified)
- (x1) Padded Carry Case

3x2 Coyote Mini Kit Includes:

- (x1) 3x2 Frame
- (x12) Channel Bars
- (x2) Endcap Panels
- (x3) Front Curved Panels
- (x2) Lumina 1 Black Spotlights (unless another light specified)
- (x1) Padded Carry Case

Optional Lighting Available:

